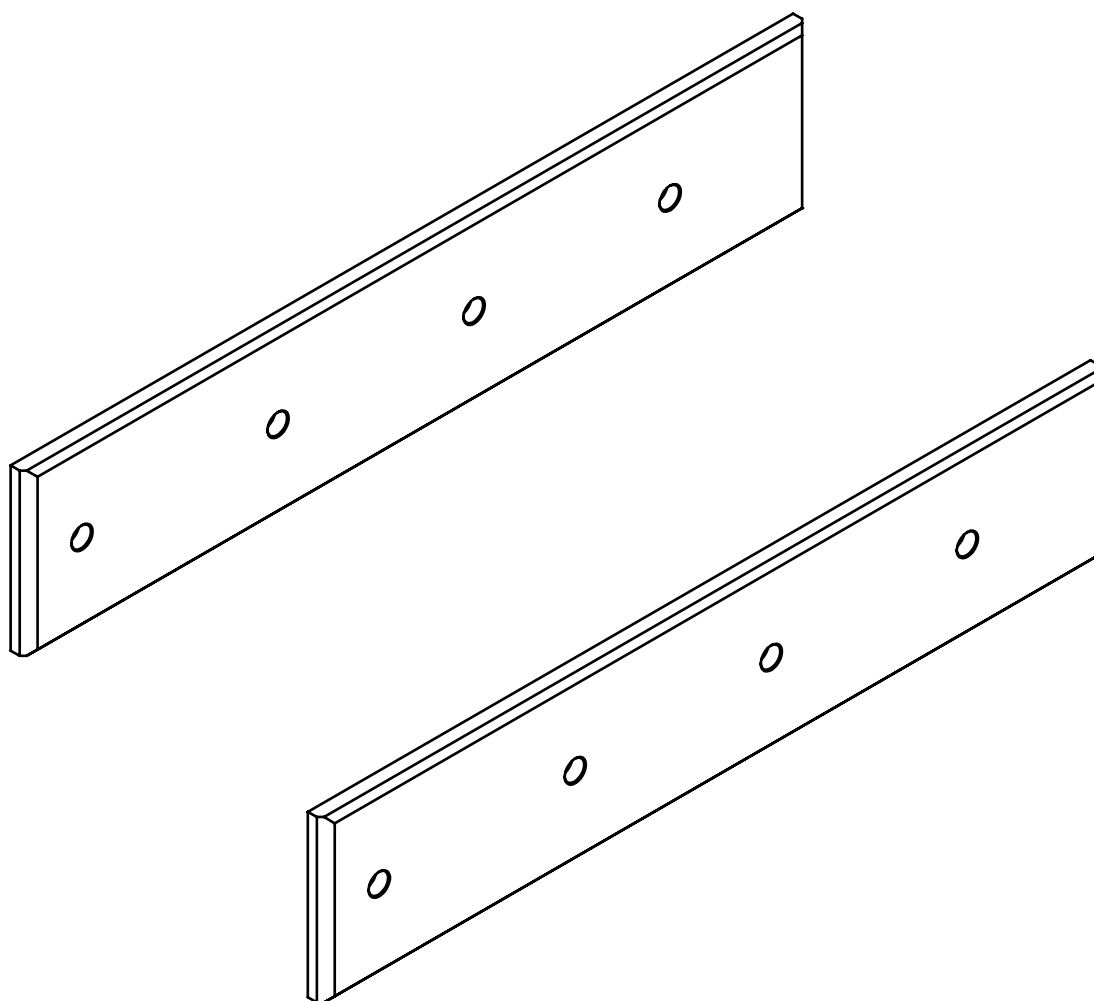
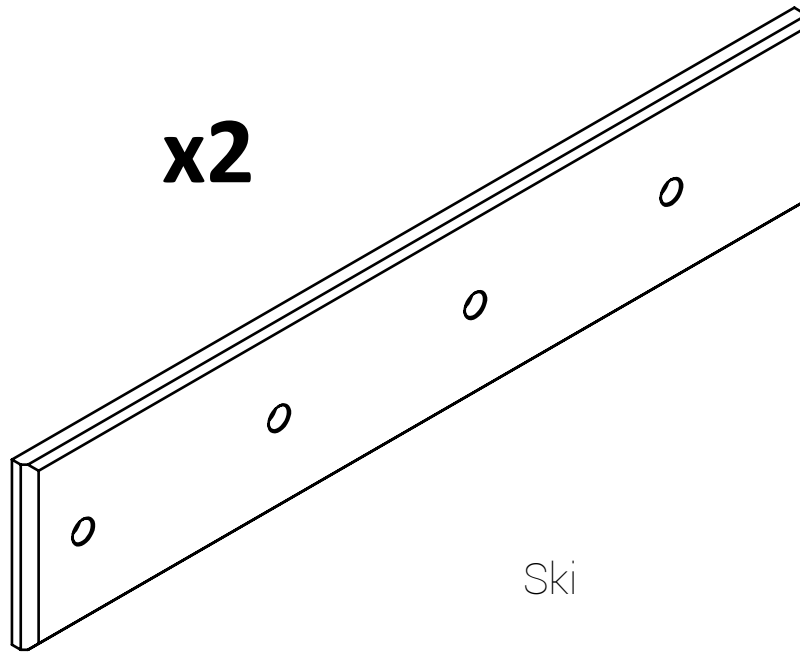


SKIS FOR ELEIKO XF SLED LIGHT

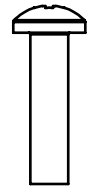
Art.nr 3060343



CONTENTS



x8



M5 x 20

Required tools:

- cross-headed screwdriver

ASSEMBLY INSTRUCTIONS

1.

